

Receiver

Company
Reference
Address
Phone
Fax
E-mail

Item n° : Customer pos. no.:

102660000

Model :

Jet 62 1x220-240 50 No Cable

Pump data

Pressure rating : 0,6 MPa
Min. fluid temperature : 0 °C
Max. fluid temperature : 35 °C
Max. Ambient temperature : 40 °C

Priming capacity :

H m	2	3	4	5	6	7	8	9
Q m³/h	2,46	2,28	2,04	1,86	1,62	1,32	1,14	0,78

Requested data

Flow:
Head:
Fluid : Water
Fluid Temperature : 20 °C
Density : 998,3 kg/m³
Kinematic viscosity : 1,005 mm²/s
Vapor pressure : 0,00 MPa

Hydraulic data (duty point)

Flow:
Head:

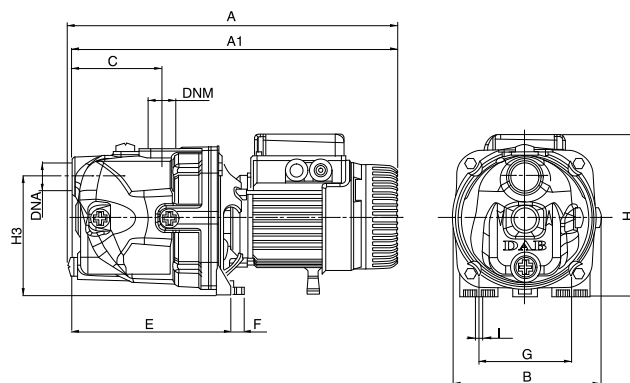
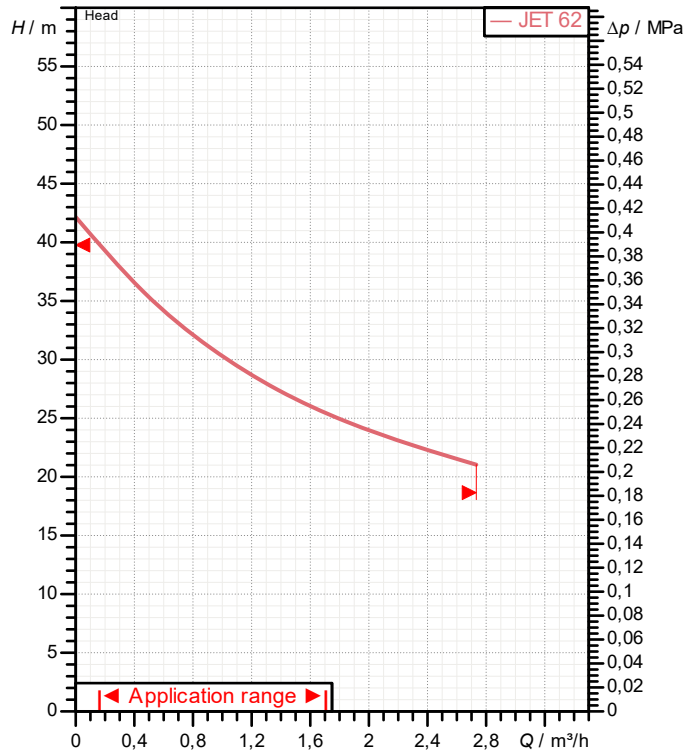
Materials

Pump body : Cast iron 200 UNI ISO 185
Support : Die cast aluminium
Impeller : Technopolymer A
Mechanical seal : Carbon/Ceramic
O-Ring : NBR Rubber
Shaft with rotor : AISI 416 X12 CrS 13 UNI 6900/71
Nozzle venturi diffuser assembly : Technopolymer A

Motor data

Motor brand : DAB
Nominal power P2 : 0,44 kW
Rated speed : 2.850 1/min
Rated voltage : 1~ 220-240 V 50 Hz
Nominal current : 3,12 A
Degree of protection : IP 44

Curve tolerance according to ISO 9906



Dimensions in mm

A	395	DNA	1" G	G	111		
A1	390	DNM	1" G	H	193		
B	178	E	192	H3	144		
C	108	F	14	I Ø	9		

Weight : 10,5 kg

Pump connection

Suction side : 1" G / 0,6 MPa
Discharge side : 1" G / 0,6 MPa



PERFORMANCE CURVES

2026-02-07

Page 2 / 3

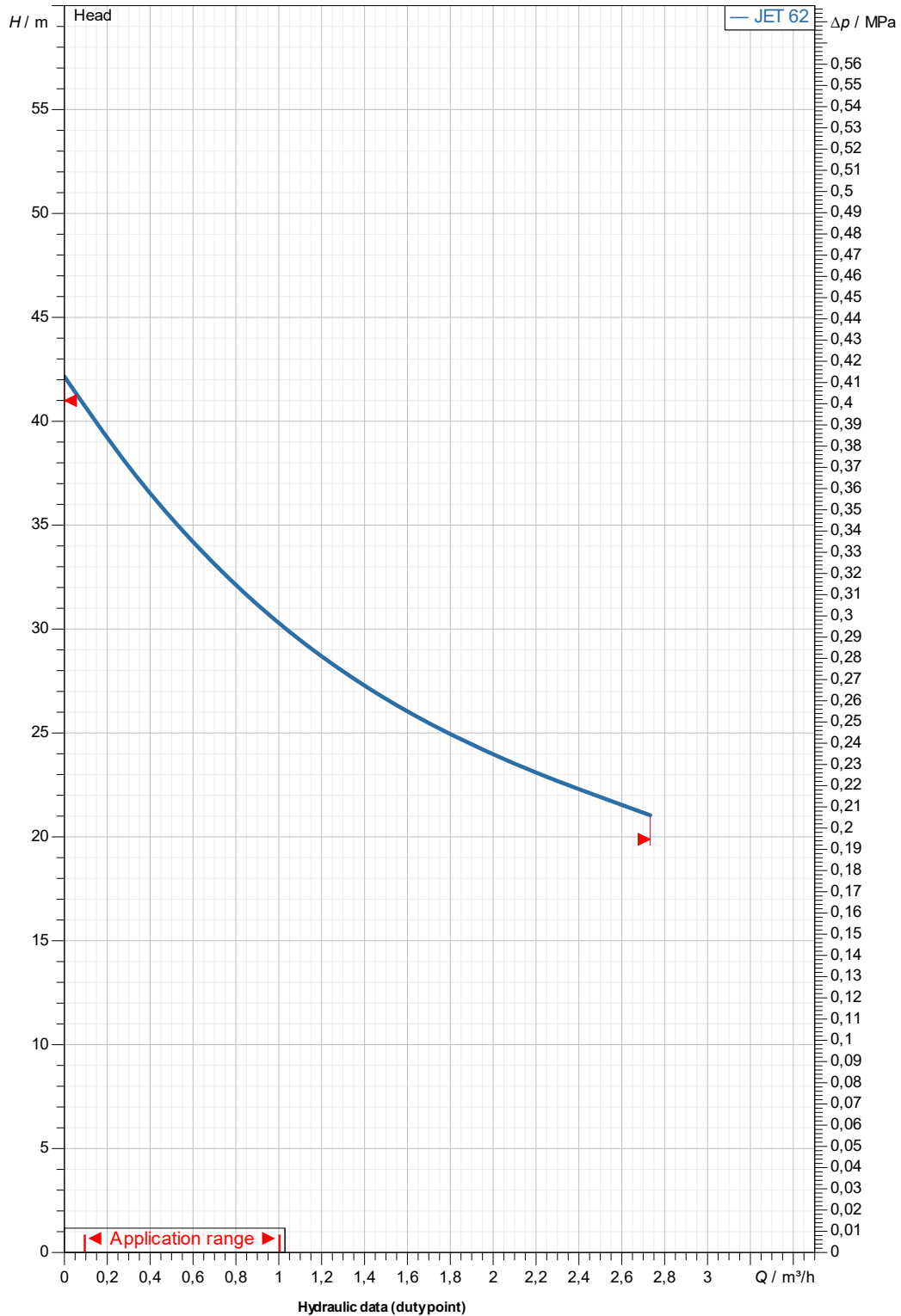
DAB PUMPS S.p.A.
Via Marco Polo, 14 - 35035 Mestrino (PD), Italy
Tel. +39 049 5125000 - Fax +39 049 5125950
www.dabpumps.com

Receiver

Company
Reference
Address
Phone
Fax
E-mail

Jet 62 1x220-240 50 No Cable

Curve tolerance according to ISO 9906



Suction side :
1" G
0,6 MPa

Discharge side :
1" G
0,6 MPa

Flow :

Head :

Rated speed :
2.850 1/min

Project

Project ID

Created by

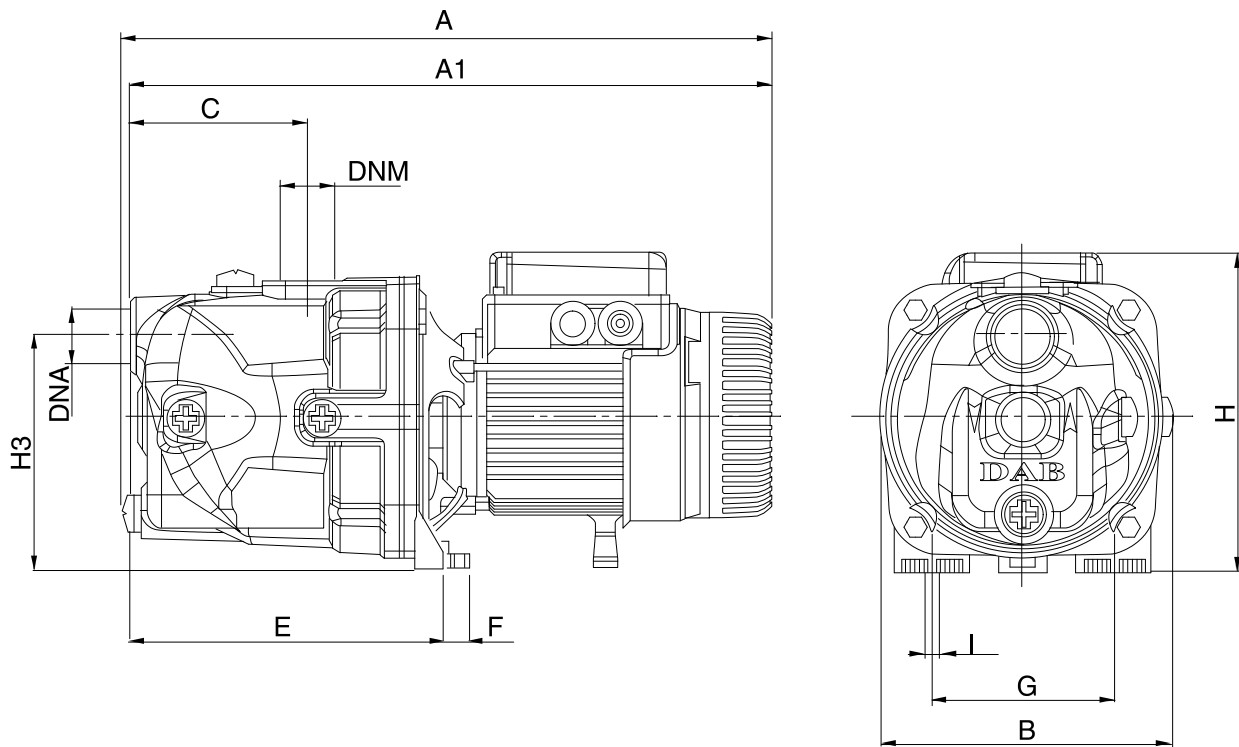
Created on

2026-02-07

Receiver

Company
Reference
Address
Phone
Fax
E-mail

Jet 62 1x220-240 50 No Cable



Dimensions in mm						Pump connection
1	A	395	1 Ø	9		Suction 1" G 0,6 MPa Discharge 1" G 0,6 MPa
2	A1	390				
3	B	178				
4	C	108				
5	DNA	1" G				
6	DNM	1" G				
7	E	192				
8	F	14				
9	G	111				
10	H	193				
11	H3	144				

Project	Project ID	Created by	Created on 2026-02-07
---------	------------	------------	---------------------------------