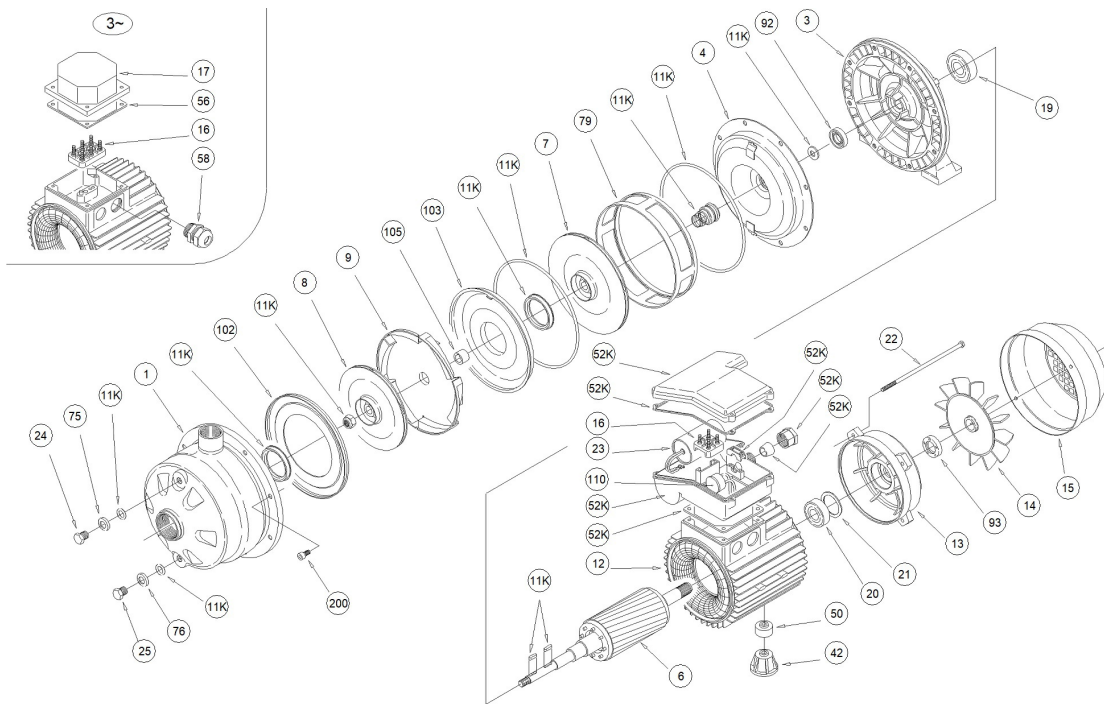


1621150004I-2CDX/I 120/15 IE3



1621150004I-2CDX/I 120/15 IE3

Pos.	Code	Description	Note	Qty
1	251420694	CASING		1
3	240280546	MOTOR BRAKET		1
4	251402069	CASING COVER		1
6	275412786	SHAFT		1
7	251450003	IMPELLER		1
8	251450003	IMPELLER		1
9	251435024	DIFFUSER		1
11K	364500006	MECHANICAL SEAL KIT		1
12	277930801I	MOTOR		1
13	230225090	MOTOR COVER		1
15	362250080	FAN COVER		1
16	365950326	TERMINAL		1
17	363232008	TERMINAL BOX		1
19	360316212	BEARING		1
21	360600040	ADJUSTING RING		1
22	369393018	TIE ROD		4
24	375192107	PLUG		1
25	375192107	PLUG		1
42	371415015	FOOT		1
56	364700811	GASKET		1
58	376565024	CABLE ENTRY		1
75	367667000	WASHER		1
76	367667000	WASHER		1
79	251434144	SPACER		1
92	360991522	SEAL RING		1
102	251424008	SUCTION COVER		1
103	251402066	CONVEYOR COVER		1
105	374434027	SPACER		1
200	369600023	BOLT		8
20	360326203	BEARING		1
93	360991523	LIP SEAL		1