

## NOCCHI PRIOX

### SUBMERSIBLE VORTEX SEWAGE PUMPS

The PRIOX series pumps are made completely with stainless steel AISI 304. They operate completely immersed in the liquid to be pumped which provides for the cooling of the motor from the outside. Made with a retreated impeller on the principle of vortex operation. Automatic version (AUT) equipped with float switch.

#### MOTOR

- Dry running.
- Degree of protection IP 68
- Insulation class F
- Single-phase power supply with capacitor permanently on and thermal protection built into the motor casing.
- Cable connection chamber completely insulated.
- Self-lubricating ball bearings.
- Speed of rotation 2850 rpm.

#### APPLICATIONS

- All lifting and emptying operations of dirty water with suspended solids.
- Lifting stations with one or more pumps for agricultural and civil use.

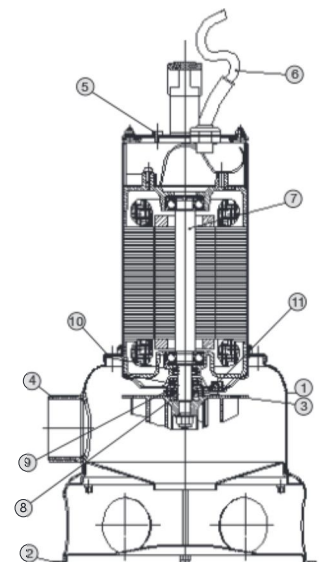
#### USAGE DATA

- Type of liquid: discharge water with solids.
- Maximum temperature of the liquid 40°C.
- Maximum immersion under the water level 7 m.
- Continuous operation (S1) only with submersed pump
- Minimum drying level 60 mm (in manual version).
- Free passage of solids: up to 40 mm or 50 mm as indicated in the table



#### TABLE OF MATERIALS

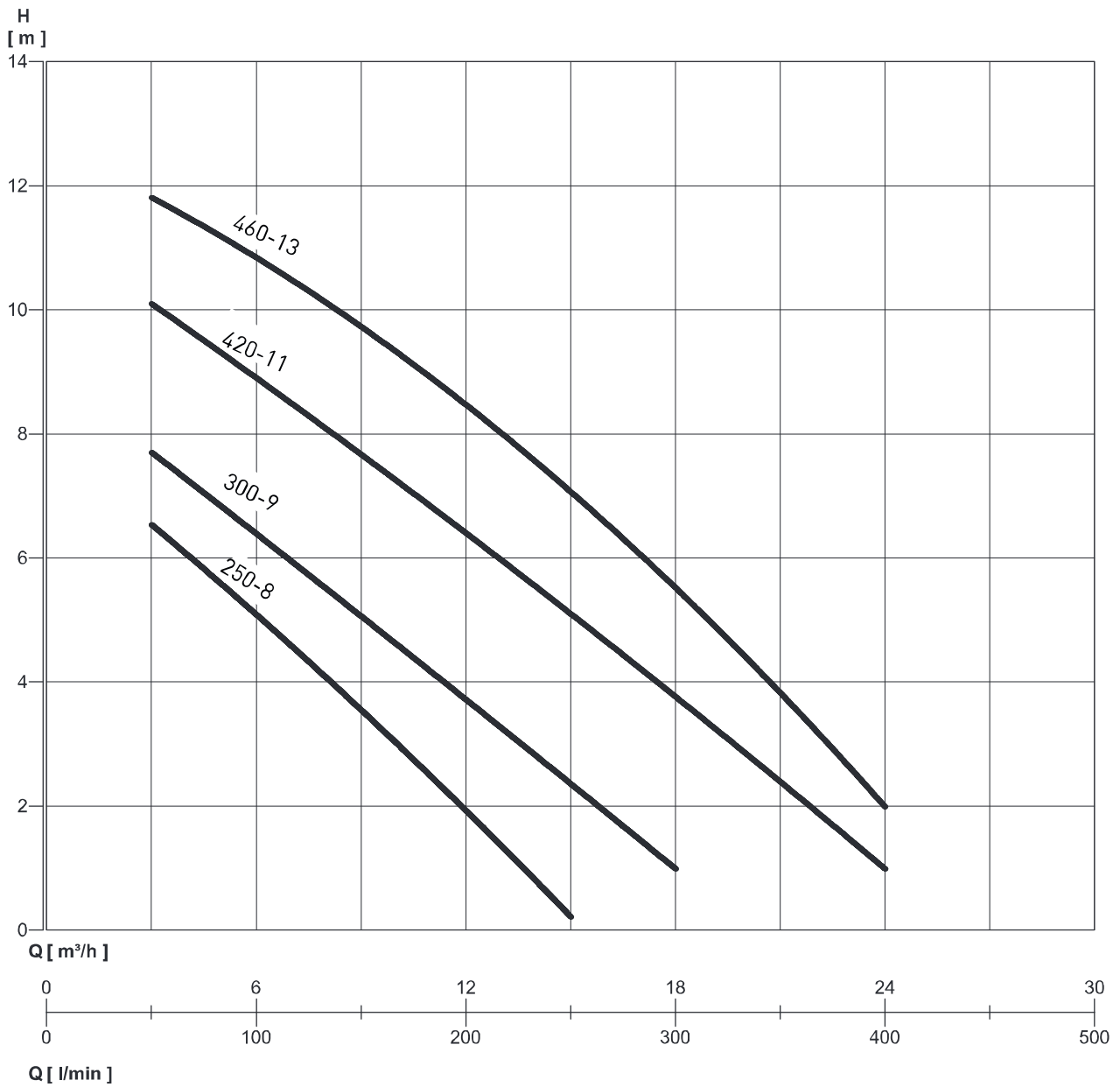
Component		Material
1	Pump body	Stainless steel Europe: EN 10088-1 X5CrNi18-10 (1.4301) - USA: AISI 304
2	Air inlet base	Stainless steel Europe: EN 10088-1 X5CrNi18-10 (1.4301) - USA: AISI 304
3	Impeller	Stainless steel X5 CrNi 1810 (AISI 304) casting
4	Outlet	Thread
5	Lid	Stainless steel casting (Priox 800/18)
6	Supply cable	10 m H07 RN-F with plug
7	Motor shaft	Stainless steel X12 CrS 13 EN 1.4005 (AISI 416)
8	Mechanical seal	Silicon carbide
9	Counterface	Silicon carbide
10	Secondary seal	rubber NBR lip seal
11	V-ring sand guard	Rubber NBR



# NOCCHI PRIOX

## SUBMERSIBLE VORTEX SEWAGE PUMPS

### HYDRAULIC PERFORMANCE

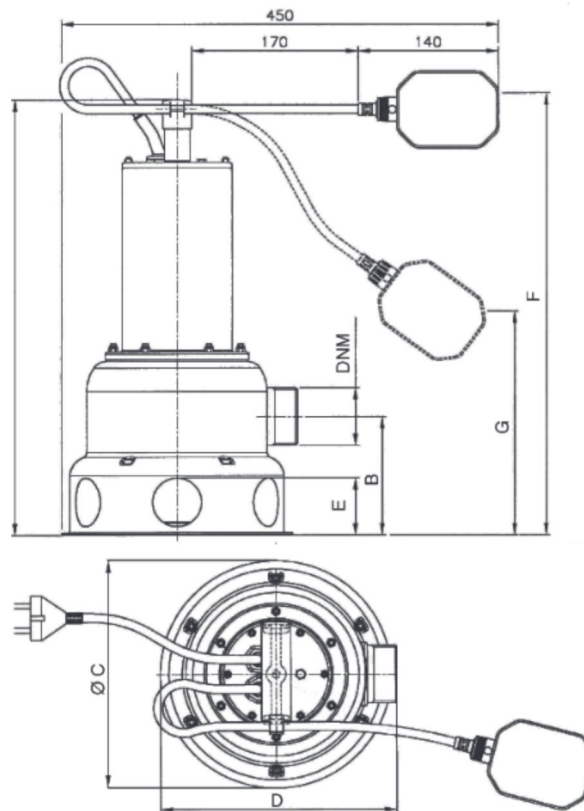


# NOCCHI PRIOX

## SUBMERSIBLE VORTEX SEWAGE PUMPS

PERFORMANCE TABLE

MODEL	Motor power (P2)		Motor power (P1)		VOLT. (V)	In (A)	μF	Q	l/min	50	100	150	200	250	300	400	
	HP	kW	HP	kW					m³/h	3	6	9	12	15	18	24	
PRIOX 250/8 M PRIOX 250/8 M AUT	0.75	0.55	1.1	0.8	1 ~ 230	3.6	14	m.c.a. / m.w.c.	6.5	5.2	3.4	2.0	0.2				
PRIOX 300/9 M PRIOX 300/9 M AUT	0.8	0.6	1.2	0.9	1 ~ 230	4.1	14		7.7	6.4	5	3.8	2.3	1			
PRIOX 300/9 T	0.8	0.6	1.2	0.9	3 ~ 400	1.55			10	9	7.8	6.3	5	3.8	1		
PRIOX 420/11 M PRIOX 420/11 M AUT	1.2	0.9	1.8	1.3	1 ~ 230	6	20		11.8	10.8	9.8	8.5	7	5.5	2		
PRIOX 420/11 T	1.2	0.9	1.8	1.3	3 ~ 400	2.3											
PRIOX 460/13 M PRIOX 460/13 M AUT	1.5	1.1	2.2	1.6	1 ~ 230	7.2	20										
PRIOX 460/13 T	1.4	1	2	1.45	3 ~ 400	2.4											



### OVERALL DIMENSIONS AND WEIGHTS

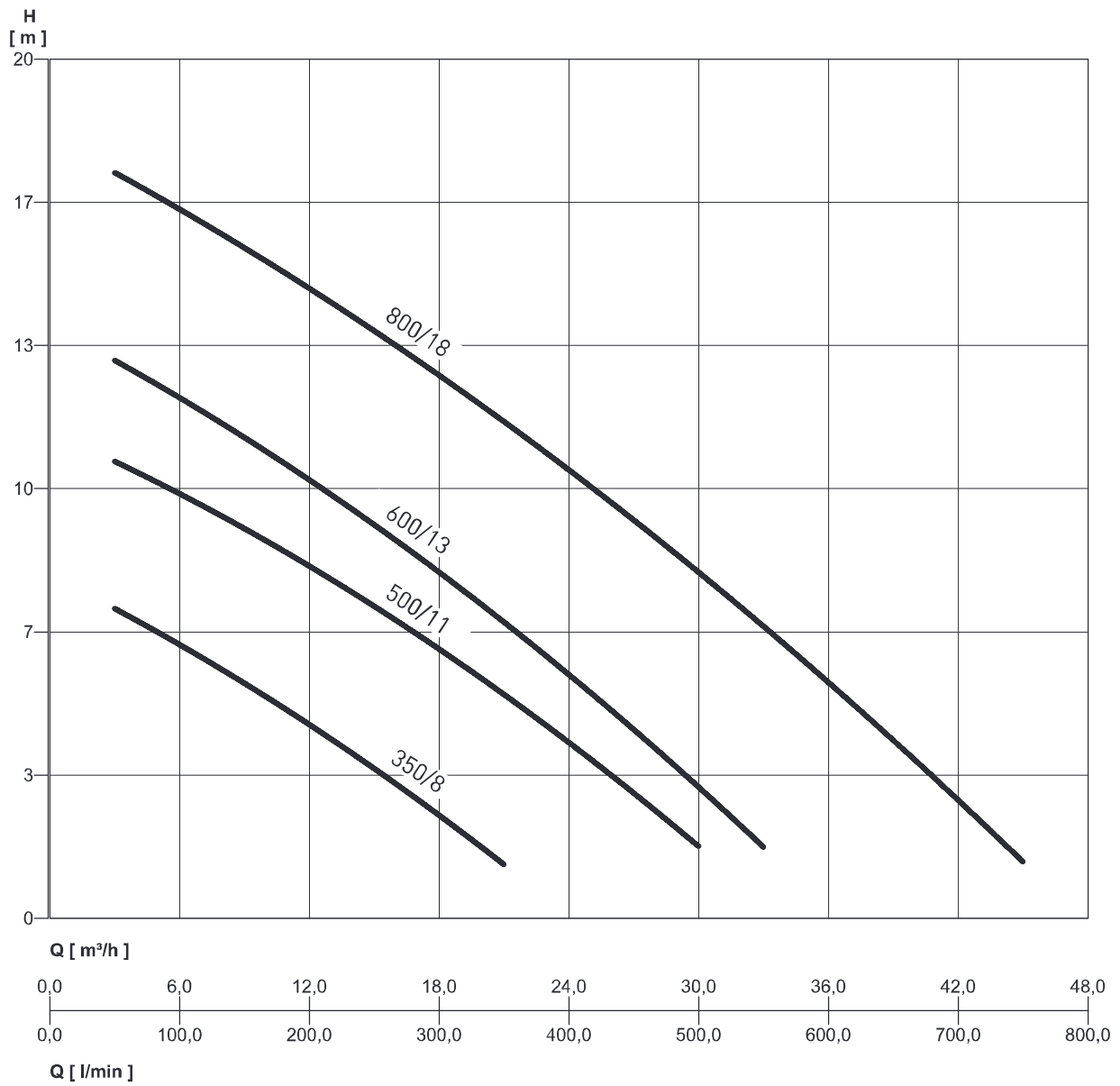
MODEL	Dimensions mm.										Total weights (Kg)
	A	B	C	D	Minimum drying level E*	Level ON F*	Level OFF G*	Free passage	DNM		
PRIOX 250/8	420	122.5	235	249	63	550	290	40	1 1/2"	9.4	
PRIOX 300/9	420	122.5	235	249	63	550	290	40	2"	9.6	
PRIOX 420/11	450	122.5	235	249	63	550	290	40	2"	11.2	
PRIOX 460/13	450	122.5	235	249	63	580	320	40	2"	11.7	

\*\* The ON/OFF levels refer to the version with float switch. - The minimum drying level refers to manual operation.

# NOCCHI PRIOX

## SUBMERSIBLE VORTEX SEWAGE PUMPS

### HYDRAULIC PERFORMANCE

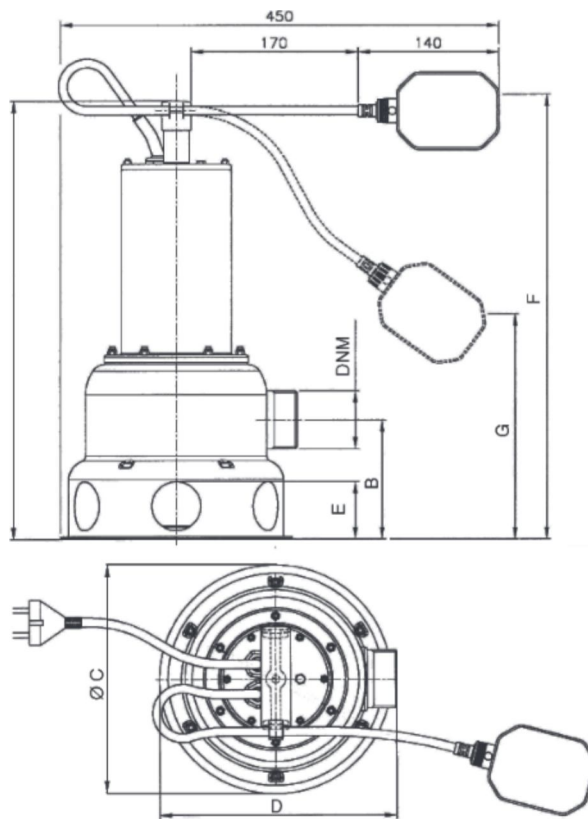


# NOCCHI PRIOX

## SUBMERSIBLE VORTEX SEWAGE PUMPS

### PERFORMANCE TABLE

MODEL	Motor power (P2)		Motor power (P1)		VOLT. (V)	In (A)	μF	Q	l/min	50	100	150	200	250	300	350	400	500	550	600	650	700	750	
	HP	kW	HP	kW						m³/h	3	6	9	12	15	18	18	24	30	33	36	39	42	45
PRIOX 50-350/8 M PRIOX 50-350/8 M AUT	0.9	0.65	1.36	1	1 ~ 230	3.8	14	m.c.a. / m.w.c.	7.2	6.4	5.5	4.4	3.5	2.5	1.2									
PRIOX 50-350/8 T	0.9	0.65	1.3	0.98	3 ~ 400	1.7																		
PRIOX 50-500/11 M PRIOX 50-500/11 M AUT	1.4	1	2	1.55	1 ~ 230	7	20		10.5	10	9.2	8.2	7.2	6.2	5.2	4.1	1.7							
PRIOX 50-500/11 T	1.4	1	1.9	1.4	3 ~ 400	2.4																		
PRIOX 50-600/13 T	1.6	1.2	2.4	1.8	3 ~ 400	3.1			12.8	12.2	11.3	10.3	9.3	8	6.8	5.5	3	1.8						
PRIOX 50-800/18 T	3.2	2.4	4	3	3 ~ 400	5.5			17.3	16.5	15.6	14.7	13.7	12.7	11.6	10.5	8	6.7	5.4	4	3	1.3		



### OVERALL DIMENSIONS AND WEIGHTS

MODEL	Dimensions mm.										Total weights (Kg)
	A	B	C	D	Minimum drying level E*	Level ON F*	Level OFF G*	Free passage	DNM		
PRIOX 50-350/8	420	122.5	235	249	63	550	290	50	2"	9.6	
PRIOX 50-500/11	450	122.5	235	249	63	550	290	50	2"	11.7	
PRIOX 50-600/13	450	122.5	235	249	63	580	320	50	2"	12.6	
PRIOX 50-800/18	485	122.5	235	249	63	580	320	50	2"	20.2	

\*\* The ON/OFF levels refer to the version with float switch. - The minimum drying level refers to manual operation..