

BRASS FOOT CHECK VALVE

Brass foot valve for water distribution.

Brass CW617N body, strainer and disc for a better strength mechanical.

NBR gasket for an excellent tightness and fiber gasket between body and strainer.

Only for vertical position with ascendant fluid.

ISO 9001 : 2015

BUREAU VERITAS
Certification



Size : DN 1/2" to 4"

Connection : Female BSP

Min Temperature : +0°C

Max Temperature : +90°C

Max Pressure : 10 Bars up to DN1"

Specifications : Vertical Position

Brass strainer

Brass disc with NBR gasket

Materials : Brass CW617N according to EN 12165

BRASS FOOT CHECK VALVE

SPECIFICATIONS :

- Respect the flow direction indicated by the arrow
- Vertical position with ascendant fluid
- Threaded cylindrical female BSP ends
- Brass disc with NBR gasket
- Brass body and strainer CW617N for a better strength mechanical

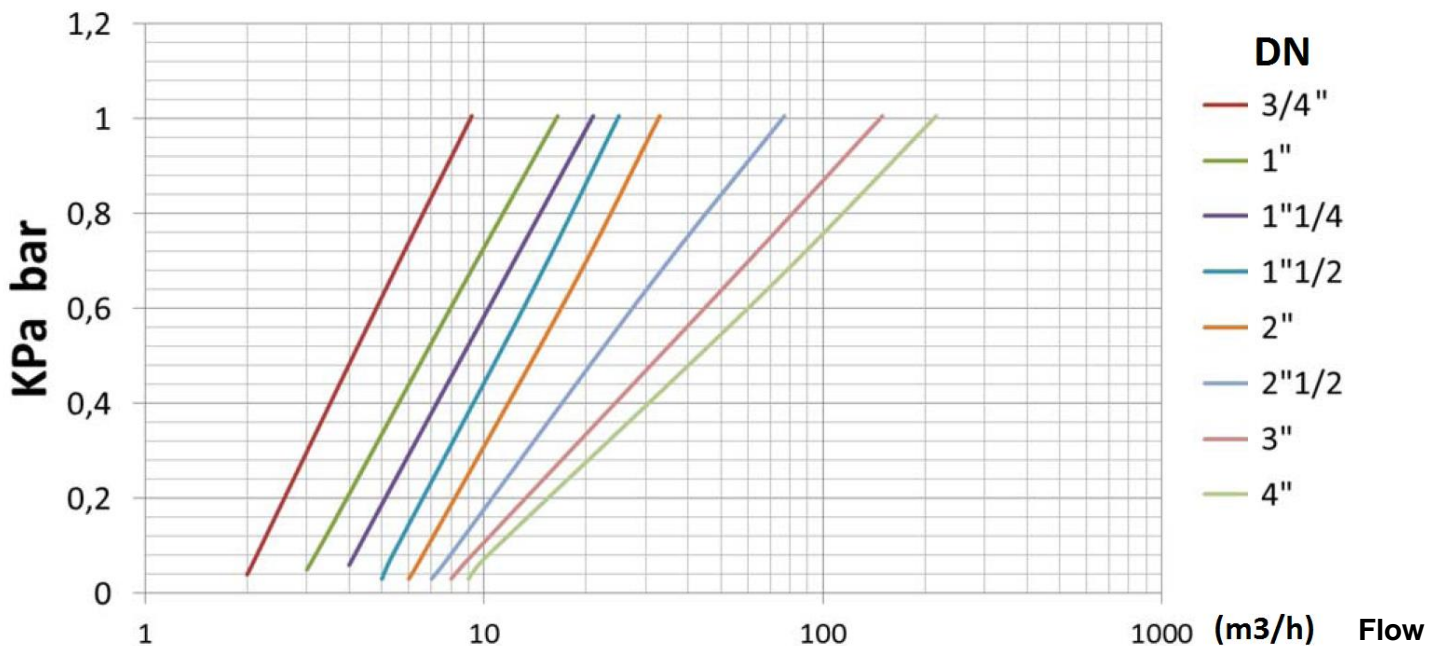
USE :

- Water distribution
- Min Temperature Ts : + 0°C
- Max Temperature Ts : + 90°C
- Max Pressure Ps : 10 bars up to DN 1" , 8 bars from 1"1/4 to 2" and 6 bars over

RANGE :

- Threaded cylindrical BSP ends from DN 1/2" to DN 4"

HEAD LOSS GRAPH :



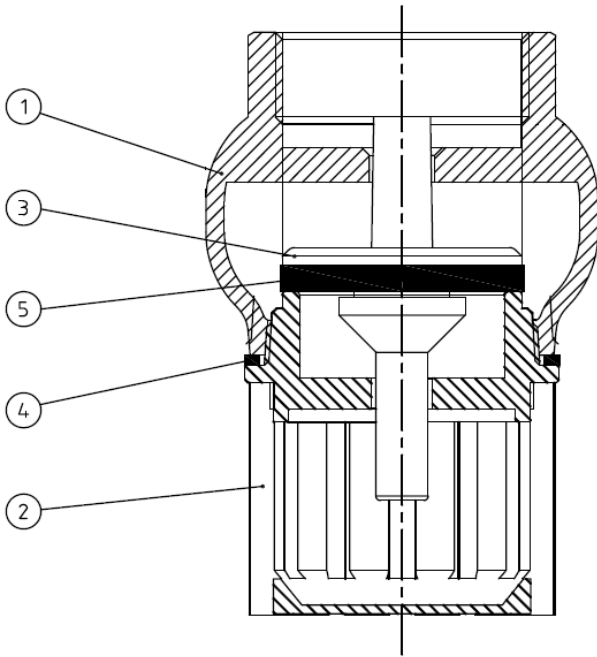
FLOW COEFFICIENT Kvs (M3 / h) :

DN	3/4"	1"	1"1/4	1"1/2	2"	2"1/2	3"	4"
Kvs (m3/h)	9.2	16.5	21	25	33	77	150	216

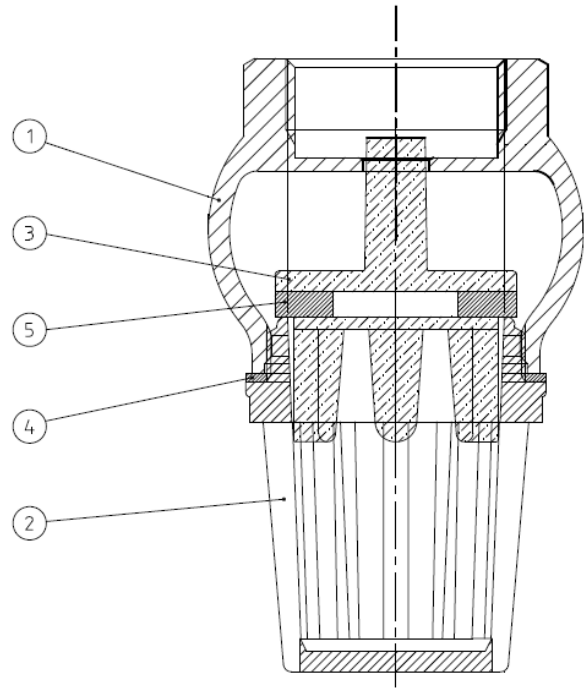
BRASS FOOT CHECK VALVE

MATERIALS :

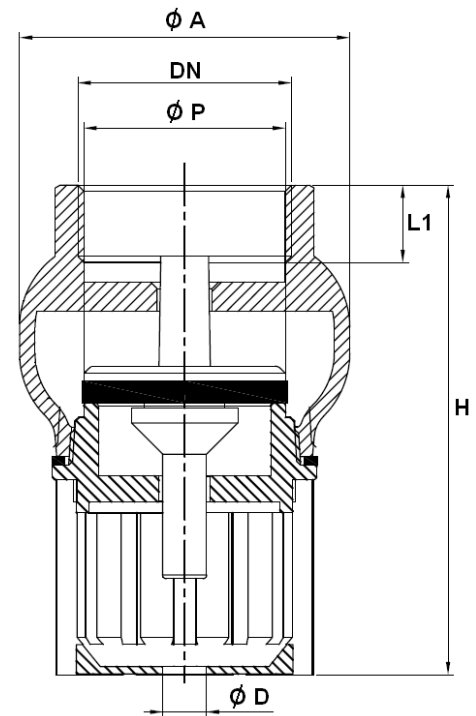
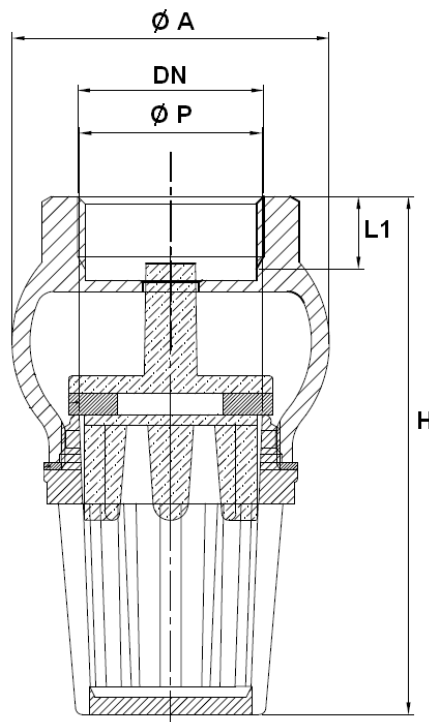
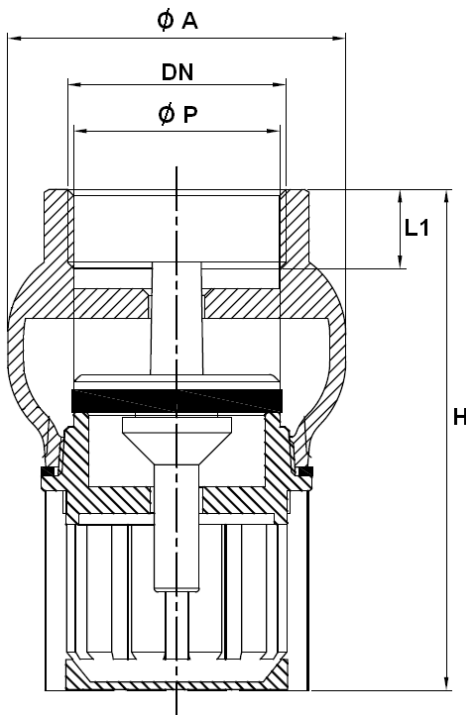
DN 1/2" and DN 2"1/2 to 4"



DN 3/4" to 2"



Item	Designation	Materials
1	Body	Brass CW 617 N according to EN 12165
2	Strainer	Brass CW 617 N according to EN 12165
3	Disc	Brass CW 617 N according to EN 12165
4	Gasket	Fibers
5	Gasket	NBR

BRASS FOOT CHECK VALVE
SIZE (in mm) :
DN 1/2"
DN 3/4" to 2"
DN 2"1/2 to 4"


DN	1/2"	3/4"	1"	1"1/4	1"1/2	2"	2"1/2	3"	4"
Ø A	39	45	51	61	68	80	103	115	145
Ø D	-	-	-	-	-	-	11	11	12
Ø P	18	23	28	34	41	51	62	73	93
L1	10	10	12	13	13	15	12	15	22
H	60	73	81	95	103	121	136	151	187
Mesh	2	3	3	3	3	4	5	5	5
Weight (Kg)	0.159	0.254	0.324	0.504	0.590	1.025	1.353	1.724	3.256

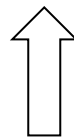
BRASS FOOT CHECK VALVE

STANDARDS :

- Fabrication according to ISO 9001:2015
- DIRECTIVE 2014/68/EU : Products excluded from directive (Article 1, § 2b)
- Threaded cylindrical female BSP ends according to ISO 228-1

INSTALLATION POSITIONS :

Vertical position (ascendant fluid)



ADVICE : Our opinion and our advice are not guaranteed and SFERACO shall not be liable for the consequences of damages.
The customer must check the right choice of the products with the real service conditions.