

B

B

A

A



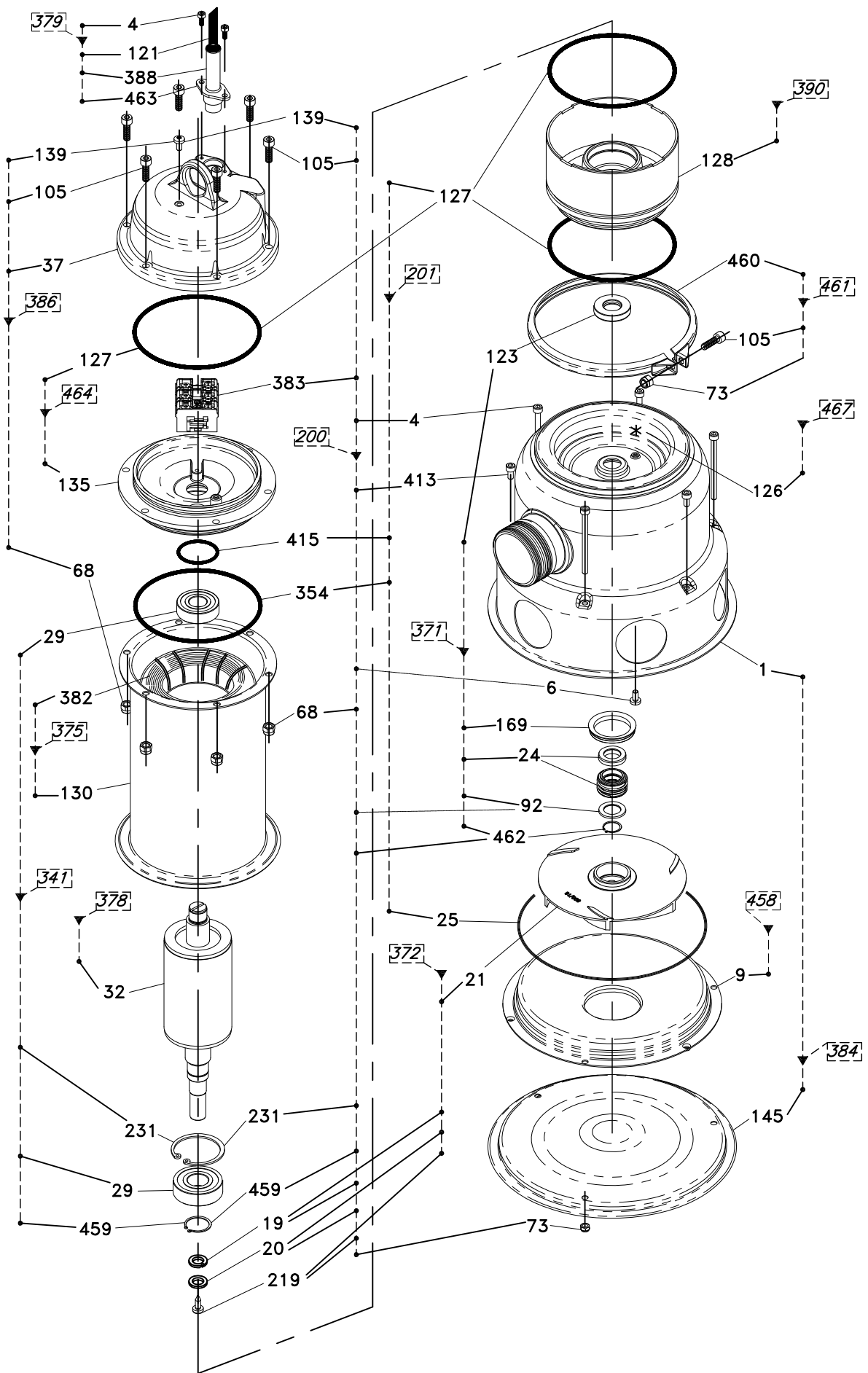
Pentair Water Italy S.r.l.
 Via Masaccio,13
 56010 Lugnano (PI)
 ITALY

Drawn Vaglini
 Approved M.Bernacca

Title PRIOX
 Date (dd/mm/yy) 21-12-2008
 Dwg #

Sheet 1 of 1

DR010005_01



B

B

A

A



**Pentair®
Water**

Pentair Water Italy S.r.l.
Via Masaccio,13
56010 Lugnano (PI)
ITALY


Drawn Vaglini
Approved M.Bernacca


Title PRIOX 800
Date (dd/mm/yy) 08-01-2009
Dwg #

DR080001_01

Sheet 1 of 1

This drawing is the absolute property of Pentair Water Italy S.r.l. It may not be reproduced in any form without the written permission of Pentair Water Italy S.r.l.

				DRW. DR010005	SPARE-PARTS												
SPARE-PARTS				Select language English	SPARE-PARTS KIT TABLE												
SPARE-PARTS				PRIOX	PUMP MODEL												
RECOMMENDED KIT	KIT REF. No.	KIT DESCRIPTION	COMPONENT REF. No.	COMPONENT DESCRIPTION	PRIOX 250/8M	PRIOX 250/8M AUT	PRIOX 300/9M	PRIOX 300/9M AUT	PRIOX 300/9T	PRIOX 420/11M	PRIOX 420/11M AUT	PRIOX 420/11T	PRIOX 460/13M	PRIOX 460/13M AUT	PRIOX 460/13T	PRIOX 600/13T	
	200	BOLTS AND SCREWS KIT	4	SCREW													1pc
			6	GASKET (FILL/DRAIN PLUG -)													1pc
			18	NUT (SELF-LOCKING -)													1pc
			67	WASHER													1pc
			68	NUT (SELF-LOCKING/GROMMET -)													12pc
			73	NUT													3pc
			139	SCREW (INSPECTION -)													1pc
			457	CARTER													1pc
			387	SCREW (PUMP BODY -)													3pc
			6	GASKET (FILL/DRAIN PLUG -)													1pc
			25	O-RING (PUMP BODY -)													1pc
			127	O-RING (LOWER BEARING FLANGE -)													1pc
			139	SCREW (INSPECTION -)													1pc
			140	O-RING (CORDING CLAMP -)													2pc
			159	O-RING (COVER -)													1pc
	341	BEARING KIT	36	RING (ELASTIC -)													1pc
			29	BEARING (COUPLE OF -)													1pc
			24	SEAL (COMPLETE MECHANICAL -)													1pc
			92	WASHER													1pc
			123	RING (SEAL -)													1pc
			18	NUT (SELF-LOCKING -)													1pc
			21	IMPELLER	ZBR20590												1pc
			67	WASHER													1pc
			48	HOLDER (CAPACITOR - WITH HOLE)													1pc
			137	ANTI-MOISTURE													1pc
			382	WINDING STATOR	ZBR20500												1pc
			130	MOTOR BODY													1pc
			135	FLANGE (UPPER BEARING HOLDER -)													1pc
	375	STATOR KIT	48	HOLDER (CAPACITOR - WITH HOLE)													1pc
			137	ANTI-MOISTURE													1pc
			382	WINDING STATOR													1pc
			130	MOTOR BODY													1pc
			135	FLANGE (UPPER BEARING HOLDER -)													1pc
	378	SHAFT + ROTOR KIT	32	SHAFT (ROTOR WITH -)													1pc
			138	NUT (CORDING CLAMP LOCKING -)													1pc
			153	GROMMET (CABLE - 9 MM DIA)													1pc
			154	CORDING CLAMP													1pc
			140	O-RING (CORDING CLAMP -)													1pc
			141	CONNECTOR 2.5 SGMM													2pc
			385	POWER CABLE W/GROMMET													1pc
			47	CAPACITOR													1pc
			141	CONNECTOR 2.5 SGMM													2pc
	379	ELECTRIC KIT	1	PUMP BODY													1pc
			145	BASE (FILTER -)													1pc
			37	COVER (MOTOR -)													1pc
			139	SCREW (INSPECTION -)													1pc
			136	COVER (CAPACITOR BOX -)													1pc
			138	NUT (CORDING CLAMP LOCKING -)													1pc
			140	O-RING (CORDING CLAMP -)													1pc
			153	GROMMET (CABLE - 9 MM DIA)													1pc
			154	CORDING CLAMP													1pc
			141	CONNECTOR 2.5 SGMM													2pc
			35	CABLE AND FL SWITCH													1pc
	380	CAPACITOR KIT	47	CAPACITOR													1pc
			141	CONNECTOR 2.5 SGMM													2pc
	384	PUMP BODY KIT	1	PUMP BODY													1pc
			145	BASE (FILTER -)													1pc
			37	COVER (MOTOR -)													1pc
			139	SCREW (INSPECTION -)													1pc
			136	COVER (CAPACITOR BOX -)													1pc
	386	MOTOR COVER KIT	138	NUT (CORDING CLAMP LOCKING -)													1pc
			140	O-RING (CORDING CLAMP -)													1pc
			153	GROMMET (CABLE - 9 MM DIA)													1pc
			154	CORDING CLAMP													1pc
			141	CONNECTOR 2.5 SGMM													2pc
			35	CABLE AND FL SWITCH													1pc
	389	FLOAT SWITCH	138	NUT (CORDING CLAMP LOCKING -)													1pc
			140	O-RING (CORDING CLAMP -)													1pc
			153	GROMMET (CABLE - 9 MM DIA)													1pc
			154	CORDING CLAMP													1pc
			141	CONNECTOR 2.5 SGMM													2pc
			35	CABLE AND FL SWITCH													1pc
	390	FLANGE (LOWER BEARING HOLDER -) KIT	128	FLANGE (LOWER BEARING HOLDER -)													1pc
	458	DIFFUSER KIT	9	DIFFUSER													1pc
	467	OIL KIT	126	LUBRICANT													1pc

				DRW. DR080001	SPARE-PARTS			
				Select language English	SPARE-PARTS KIT TABLE			
SPARE-PARTS				PRIOX800	PUMP MODEL			
RECOMMENDED KIT	KIT REF. Nr.	KIT DESCRIPTION	COMPONENT REF. Nr.	COMPONENT DESCRIPTION	PRIOX 800/18T			
	200	BOLTS AND SCREWS KIT	19	WASHER (IMPELLER TOOTHED -)	1pc			
			20	WASHER (IMPELLER -)	1pc			
			4	SCREW	3pc			
			92	WASHER	1pc			
			413	SCREW	3pc			
			219	SCREW (IMPELLER LOCK -)	1pc			
			73	NUT	3pc			
			105	SCREW	7pc			
			6	GASKET (FILL/DRAIN PLUG -)	1pc			
			139	SCREW (INSPECTION -)	1pc			
			231	SNAP RING	1pc			
			462	SNAP RING	1pc			
			68	NUT (COVER-HANDLE LOCKING -)	7pc			
			383	TERMINAL BLOCK	1pc			
			459	SHAFT SNAP RING	1pc			
			*	201	GASKET KIT	123	RING (SEAL -)	1pc
						127	O-RING (LOWER BEARING FLANGE -)	3pc
	25	O-RING (PUMP BODY -)				1pc		
	415	ORING				3pc		
	354	O-RING (STATOR SLEEVE -)				1pc		
	341	BEARING KIT	231	SNAP RING	1pc			
			459	SHAFT SNAP RING	1pc			
			29	BEARING (COUPLE OF -)	1pc			
	*	371	MECHANICAL SEAL KIT	24	SEAL (COMPLETE MECHANICAL -)	1pc		
				92	WASHER	1pc		
				123	RING (SEAL -)	1pc		
				169	SAND PROTECTION	1pc		
				462	SNAP RING	1pc		
	372	HYDRAULIC KIT	19	WASHER (IMPELLER TOOTHED -)	1pc			
			20	WASHER (IMPELLER -)	1pc			
			219	SCREW (IMPELLER LOCK -)	1pc			
			21	IMPELLER	1pc			
	375	STATOR KIT	382	WINDING STATOR	1pc			
			130	MOTOR BODY	1pc			
	378	SHAFT + ROTOR KIT	32	SHAFT (ROTOR WITH -)	1pc			
	379	ELECTRIC KIT	463	FLANGE	1pc			
			4	SCREW	2pc			
			121	CABLE (POWER ~ 3 PHASE)	1pc			
			388	GROMMET	1pc			
	384	PUMP BODY KIT	1	PUMP BODY	1pc			
			145	BASE (FILTER -)	1pc			
			37	COVER (MOTOR -)	1pc			
	386	MOTOR COVER KIT	68	NUT (COVER-HANDLE LOCKING -)	7pc			
			139	SCREW (INSPECTION -)	1pc			
			105	SCREW	7pc			
			390	FLANGE (LOWER BEARING HOLDER -) KIT	128	FLANGE (LOWER BEARING HOLDER -)	1pc	
	458	DIFFUSER KIT	9	DIFFUSER	1pc			
	461	BELT KIT	73	NUT	1pc			
			105	SCREW	1pc			
			460	BELT	1pc			
			127	O-RING (LOWER BEARING FLANGE -)	2pc			
	464	FLANGE (UPPER BEARING HOLDER -) KIT	135	FLANGE (UPPER BEARING HOLDER -)	1pc			
			467	OIL KIT	126	LUBRICANT	1pc	

(¹) sostituire KIT ALBERO+ ROTORE (ZBR25390) e KIT GIRANTE (ZBR25370) per produzioni precedenti al 06 Novembre 2008 (K0806 2008)

(¹) replace SHAFT+ ROTOR KIT (ZBR25390) and HYDRAULIC KIT (ZBR25370) together for production before 06 November 2008 (K0806 2008)

(¹) ersetzen WELLE+ROTOR SET (ZBR25390) und HYDRAULIKSET (ZBR25370) zusammen für die Produktion vor dem 06 November 2008 (K0806 2008)

(¹) remplacer KIT ARBRE + ROTOR (ZBR25390) et KIT HYDRAULIQUE (ZBR25370) ensemble pour productions précédentes au 06 Novembre 2008 (K0806 2008)



DRW. DR010005

Select language

SPARE-PARTS				PRIOX									
RECOMMENDED KIT	KIT REF. Nr.	KIT DESCRIPTION	COMPONENT REF. Nr.	COMPONENT DESCRIPTION	PRIOX 50-350/8 M	PRIOX 50-350/8 M AUT	PRIOX 50-350/8 T	PRIOX 50-500/11 M	PRIOX 50-500/11M AUT	PRIOX 50-500/11T	PRIOX 50-600/13T		
	200	BOLTS AND SCREWS KIT	4	SCREW	ZBR20580						1pc		
			6	GASKET (FILL/DRAIN PLUG ~)							1pc		
			18	NUT (SELF-LOCKING ~)							1pc		
			67	WASHER							1pc		
			68	NUT (COVER-HANDLE LOCKING ~)							6pc		
			71	WASHER							6pc		
			73	NUT							9pc		
			139	SCREW (INSPECTION ~)							1pc		
			457	CARTER							1pc		
			367	SCREW (PUMP BODY ~)							3pc		
*	201	GASKET KIT	6	GASKET (FILL/DRAIN PLUG ~)	ZBR20570						1pc		
			25	O-RING (PUMP BODY ~)							1pc		
			127	O-RING (LOWER BEARING FLANGE ~)							1pc		
			139	SCREW (INSPECTION ~)							1pc		
			140	O-RING (CORDING CLAMP ~)							2pc		
			159	O-RING (COVER ~)							1pc		
	341	BEARING KIT	36	RING (ELASTIC ~)	ZBR20710						1pc		
			29	BEARING (COUPLE OF ~)							1pc		
*	371	MECHANICAL SEAL KIT	24	SEAL (COMPLETE MECHANICAL ~)	ZBR20470						1pc		
			92	WASHER							1pc		
			123	RING (SEAL ~)							1pc		
	372	HYDRAULIC KIT	18	NUT (SELF-LOCKING ~)	1pc	ZBR20600	1pc	ZBR22240	1pc	ZBR22260	1pc		
			21	IMPELLER	1pc				1pc		1pc		
			71	WASHER	1pc				1pc		1pc		
	375	STATOR KIT	46	HOLDER (CAPACITOR ~ WITH HOLE)	1pc	ZBR20500	1pc	ZBR20510	1pc	ZBR20540	1pc		
			137	ANTI-MOISTURE	1pc				1pc	ZBR20550	1pc		
			382	WINDING STATOR	1pc				1pc		ZBR20560		
			130	MOTOR BODY	1pc				1pc		1pc		
			135	FLANGE (UPPER BEARING HOLDER ~)	1pc				1pc		1pc		
	378	SHAFT + ROTOR KIT	32	SHAFT (ROTOR WITH ~)	ZBR20620						1pc		
			138	NUT (CORDING CLAMP LOCKING ~)							1pc		
	379	ELECTRIC KIT	153	GROMMET (CABLE - 9 MM DIA)	1pc	ZBR20460	1pc	ZBR26270	1pc	ZBR20460	1pc		
			154	CORDING CLAMP	1pc				1pc		ZBR26270		
			140	O-RING (CORDING CLAMP ~)	1pc				1pc		1pc		
			141	CONNECTOR 2.5 SQMM	2pc				2pc		3pc		
			385	POWER CABLE W/GROMMET	1pc				1pc		1pc		
	380	CAPACITOR KIT	47	CAPACITOR	ZBR20690		-		ZBR25940		-		
			141	CONNECTOR 2.5 SQMM									2pc
	384	PUMP BODY KIT	1	PUMP BODY	ZBR20670							1pc	
			145	BASE (FILTER ~)								1pc	
	386	MOTOR COVER KIT	37	COVER (MOTOR ~)	ZBR20480		ZBR20490		ZBR20480		ZBR20480		
			139	SCREW (INSPECTION ~)									1pc
			136	COVER (CAPACITOR BOX ~)									1pc
	389	FLOAT SWITCH	138	NUT (CORDING CLAMP LOCKING ~)	-		ZBR20450		-		-		
			140	O-RING (CORDING CLAMP ~)									1pc
			153	GROMMET (CABLE - 9 MM DIA)									1pc
			154	CORDING CLAMP									1pc
			141	CONNECTOR 2.5 SQMM									2pc
			35	CABLE AND FL. SWITCH									1pc
	390	FLANGE (LOWER BEARING HOLDER ~) KIT	128	FLANGE (LOWER BEARING HOLDER ~)	ZBR20700						1pc		
	458	DIFFUSER KIT	9	DIFFUSER							ZBR25040		