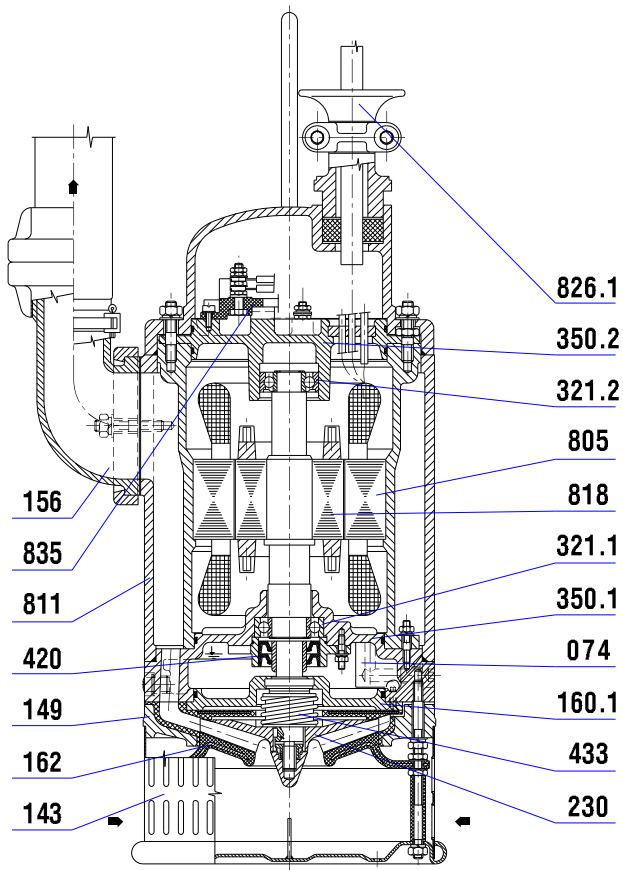
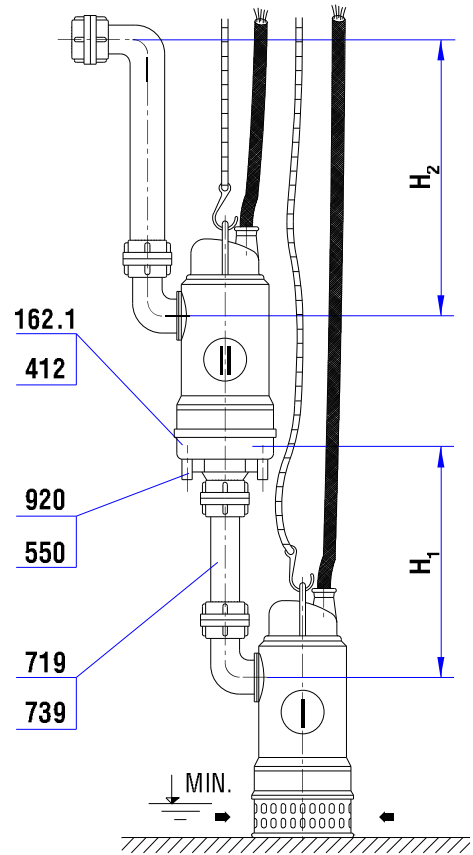


# Submersible pumps KDFU

## Informatory sectional arrangement



## CASCADE CONNECTION



Numbering of items according to DIN 24 250

074 Oil charge  
 143 Suction strainer  
 149 Diffuser  
 156 Discharge elbow  
 160.1 Oil pool bottom  
 162 Suction cover  
 162.1 Suction cover  
 230 Impeller

321.1 Lower bearing  
 321.2 Upper bearing  
 350.1 Lower bearing housing  
 350.2 Upper bearing housing  
 412 Cover sealing  
 420 Radial lip seal  
 433 Mechanical seal  
 550 Washer 8,4

719 Complete connecting hose, 1 m  
 739 Quick-coupler  
 805 Electric motor stator  
 811 Stator casing  
 818 Electric motor rotor  
 826.1 Cable bushing  
 835 Terminal board  
 920 Nut M8