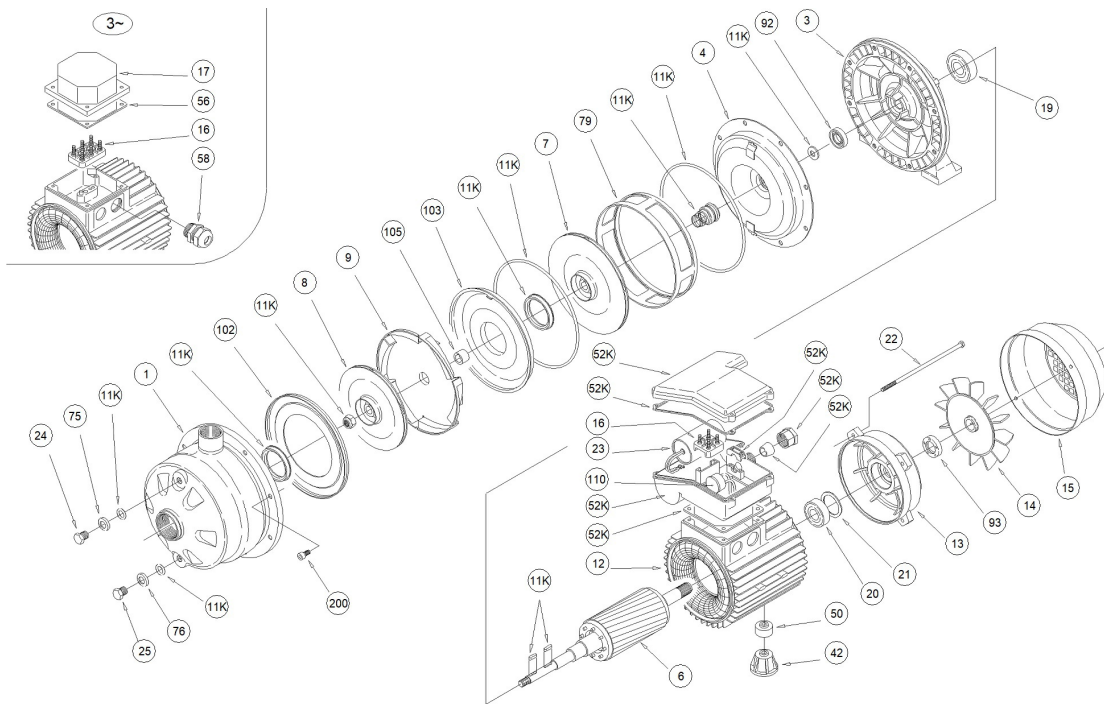


1999504904I-2CDXHS/I 200/50 IE3



1999504904I-2CDXHS/I 200/50 IE3

Pos.	Code	Description	Note	Qty
1	251420693	CASING		1
3	240080566	MOTOR BRAKET		1
4	251402065	CASING COVER		1
6	275312862	SHAFT		1
7	251450008	IMPELLER		1
8	251450007	IMPELLER		1
9	251435026	DIFFUSER		1
11K	364500009	MECHANICAL SEAL KIT		1
12	277930421I	MOTOR		1
13	230225117	MOTOR COVER		1
14	369950017	FAN		1
15	362250100	FAN COVER		1
16	365956366	TERMINAL		1
17	363232008	TERMINAL BOX		1
19	360336206	BEARING		1
20	360326205	BEARING		1
21	360600052	ADJUSTING RING		1
22	369393311	TIE ROD		4
24	375192107	PLUG		1
25	375192107	PLUG		1
42	371415014	FOOT		1
56	364700811	GASKET		1
58	376565024	CABLE ENTRY		1
75	367637000	WASHER		1
76	367667000	WASHER		1
79	251434146	SPACER		1
92	360991522	SEAL RING		1
93	360991531	LIP SEAL		1
102	251424012	SUCTION COVER		1
103	251402071	CONVEYOR COVER		1
105	374434027	SPACER		1
200	369641003	SCREW		8