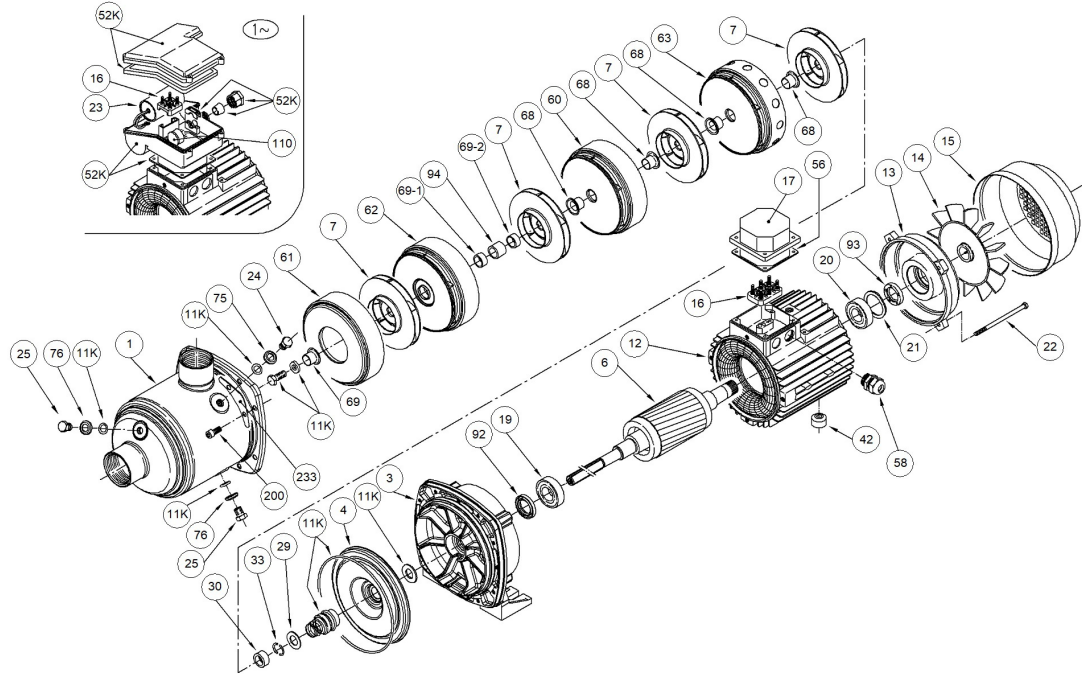


2470389000-POMPA MATRIXH 3-8T/1,3M



2470389000-POMPA MATRIXH 3-8T/1,3M

Pos.	Code	Description	Note	Qty
1	251421034	CASING		1
3	240080667	MOTOR BRAKET		1
4	251438340	CASING COVER		1
6	275402126	SHAFT	WARNING: For the selected component contact our sales network	1
11K	364500135	MECHANICAL SEAL		1
12	277930800	MOTOR FRAME	WARNING: For the selected component contact our sales network	1
13	230225072	MOTOR COVER		1
14	369950008	FAN		1
15	362250080	FAN COVER		1
16	365940254	TERMINAL BOARD		1
19	360316304	BEARING		1
20	360306210	BEARING		1
21	360600040	ADJUSTING RING		1
22	369305211	TIE ROD		4
23	361410031	CAPACITOR		1
24	375192107	PLUG		1
25	375192107	PLUG		1
29	241476053	WASHER		1
30	241476055	MECHANICAL SEAL SPACER		1
42	342572229	FOOT		1
52K	352665059	TERMINAL BOX KIT		1
60	341482038	INTERMEDIATE CASING		5
61	341482041	INTERMEDIATE CASING SUCTION		1
62	341482044	INTERMEDIATE CASING BEARING		1
63	341482047	INTERMEDIATE CASING DISCHARGE		1
69	371434133	SPACER		12
75	367667000	WASHER		1
76	367667000	WASHER		1
33	241410199	RING		2
92	360991520	LIP SEAL		1
93	360991523	LIP SEAL		1
110	369450503	PROTECTOR		1
7	251450241	IMPELLER		8
200	369600023	BOLT		8
69-1	371316151	SPACER		1
69-2	371316151	SPACER		1
68	371434133	SPACER		12
94	345116160	BEARING		1