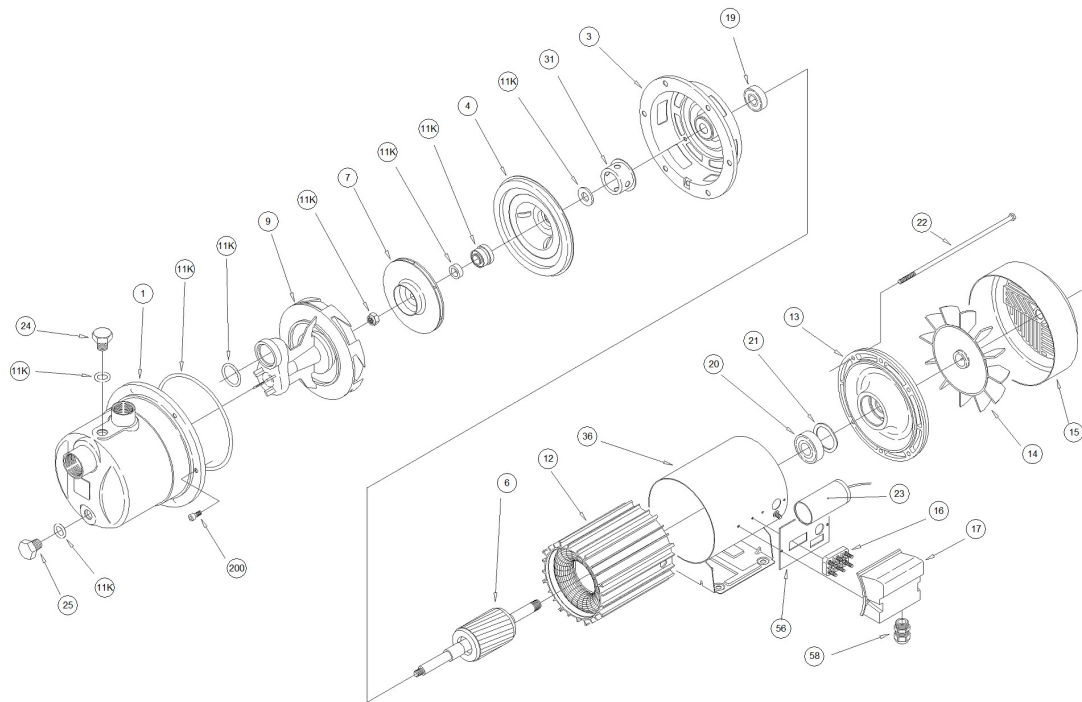


1700080000-JES M8



1700080000-JES M8

Pos.	Code	Description	Qty
1	251402022	CASING	1
3	251402024	MOTOR BRACKET	1
4	241438002	CASING COVER	1
6	275412623	SHAFT	1
13	230225004	MOTOR COVER	1
7	342550020	IMPELLER	1
9	342590000	DIFFUSER AND VENTURI TUBE	1
11K	364500012	MECHANICAL SEAL KIT	1
12	257932108	MOTOR FRAME	1
15	362222000	FAN COVER	1
16	365940253	TERMINAL BOARD	1
17	363232005	TERMINAL BOX	1
19	360316201	BEARING	1
20	360316201	BEARING	1
21	360600032	ADJUSTING RING	1
23	361410012	CAPACITOR	1
24	375192002	PLUG	1
25	375192002	PLUG	1
31	271434015	THRUST FLANGE	1
36	255402023	EXTERNAL MOTOR CASING	1
56	364700600	GASKET	1
58	366550010	CABLE ENTRY	1
22	369393014	TIE ROD	4
200	369644001	SCREW	6